

FILMGEAR

Power Beam

HYBRID

DAYLIGHT

4k/2.5kW

TUNGSTEN

5k/2kW



SPECIFICATIONS

Identity No.	L0400PBH
Capacity	Daylight : 4,000W / 2,500W Tungsten : 5,000W / 2,000W
Voltage	Daylight : 200V / 115V Tungsten : 200 - 240V AC
Parabolic Reflector	Ø498mm
Protective Lens	Ø500mm
Lamp Type	HMI 4000W SE / 2500W SE Tungsten 5000W SE / 2000W SE
Lamp Holder	G38
Stirrup	Ø28mm Spigot
Class / IP Rating	1 / IP 23
Max. Surface Temp.	210 °C
Min. Dis. to Illuminated Obj.	15m
Min. Dis. to Flammable Obj.	1.5m
Operating Range	+45° ~ 0° ~ -45°
Weight (lamphead)	38kg

LAMPHEAD CONTENTS

Lamp Housing with

- High Reflective Parabolic Glass Mirror
- On-Off Switch
- Stirrup with Ø28mm Spigot
- Lamphead to EB Cable 7m
- Inlet Cable 7m (Bare End)

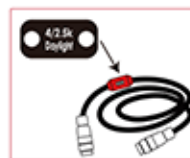
Exclude Lamp Bulb

HMI Mode : Requires Electronic Ballast

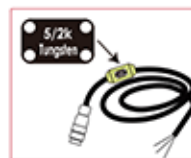
ACCESSORIES



4k/2.5kW
Electronic Ballast



4k/2.5kW Head to
Ballast Cable



5k/2kW Cable
(Bare End)



Scrims with Bag



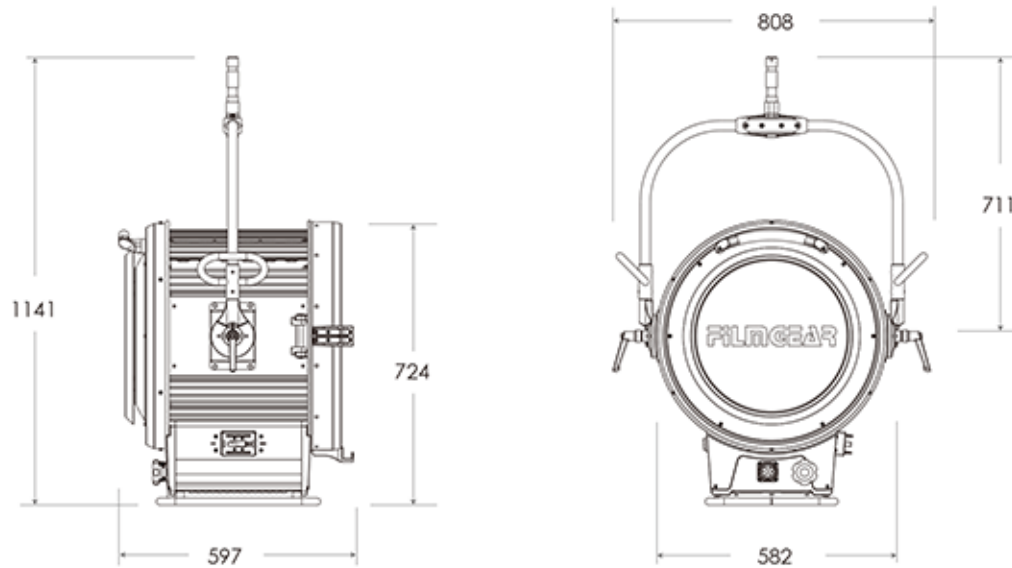
Transport Case

FILM GEAR INT. reserves the right to change or alter any of the items detailed on this page, to increase or improve manufacturing techniques without prior notice. © 20240127

Film Gear (International) Ltd. No.7, Cumberland Road, Kowloon Tong, Hong Kong ☎ (852) 2794 3608 📠 (852) 2794 3662 ✉ info@filmgear.net
Film Gear USA Group 9528 Rush Street, Suite A South El Monte, CA 91733, U.S.A ☎ 1-323-780-8880 ✉ joanna@filmgearusa.com

www.filmgear.net

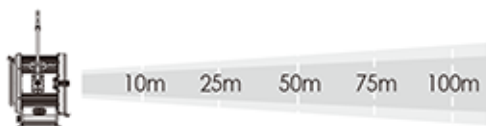
DIMENSIONS (mm)



PHOTOMETRIC DATA

DAYLIGHT

4k/2.5kW



4kW		10m	25m	50m	75m	100m
Spot	Lux	151470	24240	6060	2690	1520
	Beam Ø	0.61m	0.61m	0.61m	0.61m	0.61m
Flood	Lux	19920	3190	800	350	200
	Beam Ø	2.4m	6m	12.01m	18.0m	24.02m
2.5kW		10m	25m	50m	75m	100m
Spot	Lux	109160	17470	4370	1940	1090
	Beam Ø	0.61m	0.61m	0.61m	0.61m	0.61m
Flood	Lux	12460	2030	510	230	130
	Beam Ø	2.4m	6m	12.01m	18.01m	24.02m

TUNGSTEN

5k/2kW



5kW		7.5m	20m	35m	50m
Spot	Lux	32000	4500	1469	720
	Beam Ø	1.28 m	3.4 m	5.95 m	8.5 m
Flood	Lux	3653	514	168	82
	Beam Ø	3.38 m	9 m	15.75 m	22.5 m
2kW		7.5m	20m	35m	50m
Spot	Lux	35556	5000	1633	800
	Beam Ø	0.83 m	2.2 m	3.85 m	5.5 m
Flood	Lux	1557	219	72	35
	Beam Ø	3.38 m	9 m	15.75 m	22.5 m

FILMGEAR

Power Beam

HYBRID

DAYLIGHT

9k/6kW

TUNGSTEN

12k/10kW



SPECIFICATIONS

Identity No.	L0900PBH
Capacity	Daylight : 9,000W / 6,000W Tungsten : 12,000W / 10,000W
Voltage	Daylight : 160V / 125V Tungsten : 200 - 240V AC
Parabolic Reflector	Ø628mm
Protective Lens	Ø645mm
Lamp Type	HMI 9kW / 6kW SE Tungsten 12kW / 10kW SE
Lamp Holder	GX38 / G38
Stirrup	Ø28mm Spigot
Class / IP Rating	1 / IP 23
Max. Surface Temp.	220 °C
Min. Dis. to Illuminated Obj.	18m
Min. Dis. to Flammable Obj.	1.5m
Operating Range	+45° ~ 0° ~ -45°
Weight (lamphead)	57kg

LAMPHEAD CONTENTS

Lamp Housing with

- High Reflective Parabolic Glass Mirror
- On-Off Switch
- Stirrup with Ø28mm Spigot
- Lamphead to EB Cable 10m
- Inlet Cable 10m (Bare End)

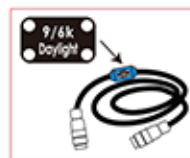
Exclude Lamp Bulb

HMI Mode : Requires Electronic Ballast

ACCESSORIES



9k/6kW
Electronic Ballast



9/6k
Daylight
9k/6kW Head to
Ballast Cable



12/10k
Tungsten
12k/10kW Cable
(Bare End)



Scrim with Bag



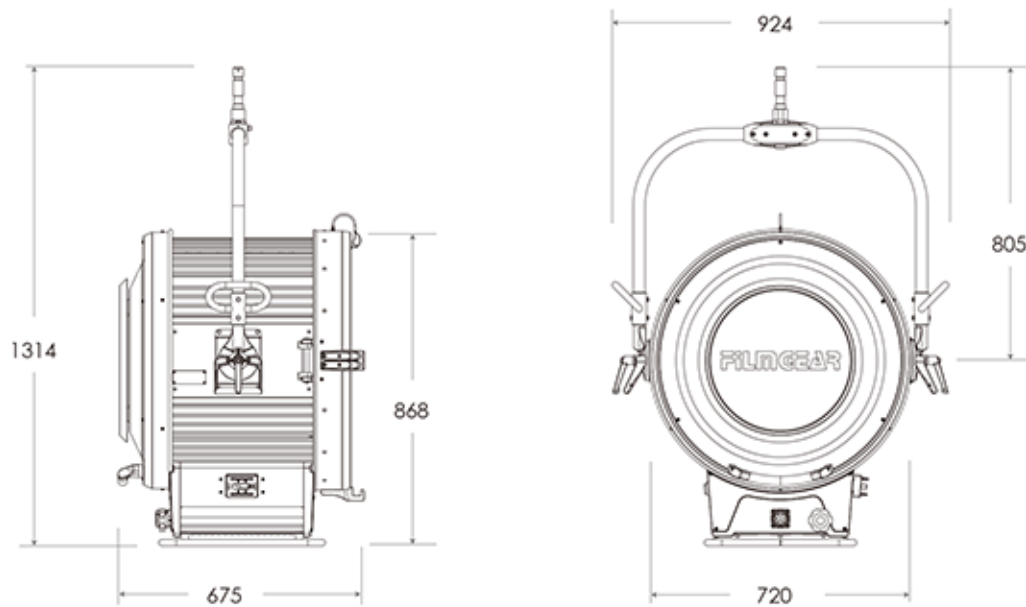
Transport Case

FILM GEAR INT. reserves the right to change or alter any of the items detailed on this page, to increase or improve manufacturing techniques without prior notice. © 20240127

Film Gear (International) Ltd. No.7, Cumberland Road, Kowloon Tong, Hong Kong ☎ (852) 2794 3608 📠 (852) 2794 3662 ✉ info@filmgear.net
Film Gear USA Group 9528 Rush Street, Suite A South El Monte, CA 91733, U.S.A ☎ 1-323-780-8880 ✉ joanna@filmgearusa.com

www.filmgear.net

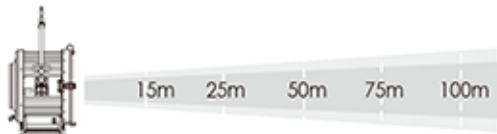
DIMENSIONS (mm)



PHOTOMETRIC DATA

DAYLIGHT

9k/6kW



9kW

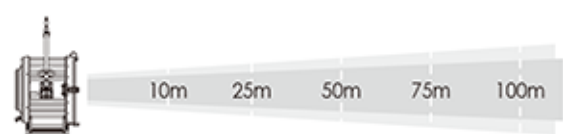
Spot	Lux	190000	68400	17100	7600	4275
	Beam Ø	0.61m	0.61m	0.61m	0.61m	0.61m
Flood	Lux	19111	6880	1720	764	430
	Beam Ø	3.6 m	6.00m	12.01m	18.01m	24.02m

6kW

Spot	Lux	147217	53000	13250	5889	3312
	Beam Ø	0.61m	0.61m	0.61m	0.61m	0.61m
Flood	Lux	15111	5440	1360	604	340
	Beam Ø	3.6 m	6.00m	12.01m	18.01m	24.02m

TUNGSTEN

12k/10kW



12kW

Spot	Lux	32400	5184	1296	576	324
	Beam Ø	1.3 m	3.25 m	6.5 m	9.74 m	12.99 m
Flood	Lux	6800	1088	272	121	68
	Beam Ø	4.29 m	10.74 m	21.47 m	32.21 m	42.95 m

10kW

Spot	Lux	30290	4846	1212	538	303
	Beam Ø	1.3 m	3.25 m	6.5 m	9.74 m	12.99 m
Flood	Lux	6350	1016	254	113	64
	Beam Ø	4.29 m	10.74 m	21.47 m	32.21 m	42.95 m

FILMGEAR

Power Beam

HYBRID

DAYLIGHT

18k/12kW

TUNGSTEN

24k/20kW

SPECIFICATIONS

Identity No.	L1800PBH
Capacity	Daylight : 18,000W / 12,000W Tungsten : 24,000W / 20,000W
Voltage	Daylight : 225V / 160V Tungsten : 200 - 240V AC
Parabolic Reflector	Ø914mm
Protective Lens	Ø883mm
Lamp Type	HMI 18kW SE / 12kW SE Tungsten 24kW SE / 20kW SE
Lamp Holder	GX51 / GX38 / G38
Stirrup	Ø28mm Spigot
Class / IP Rating	1 / IP 23
Max. Surface Temp.	260 °C
Min. Dis. to Illuminated Obj.	22.5m
Min. Dis. to Flammable Obj.	2.5m
Operating Range	+45° ~ 0° ~ -45°
Weight (lamphead)	95kg

LAMPHEAD CONTENTS

Lamp Housing with

- High Reflective Parabolic Glass Mirror
- Stirrup with Ø28mm Spigot
- Lamphead to EB Cable 15m
- Inlet Cable 15m (Bare End)

Exclude Lamp Bulb

HMI Mode : Requires Electronic Ballast

ACCESSORIES



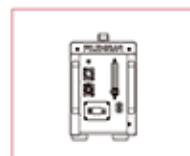
18k/12kW
Electronic Ballast



18k/12kW Head to
Ballast Cable



24k/20kW Cable
(Bare End)



Electronic Dimmer
24kW/12kW DMX



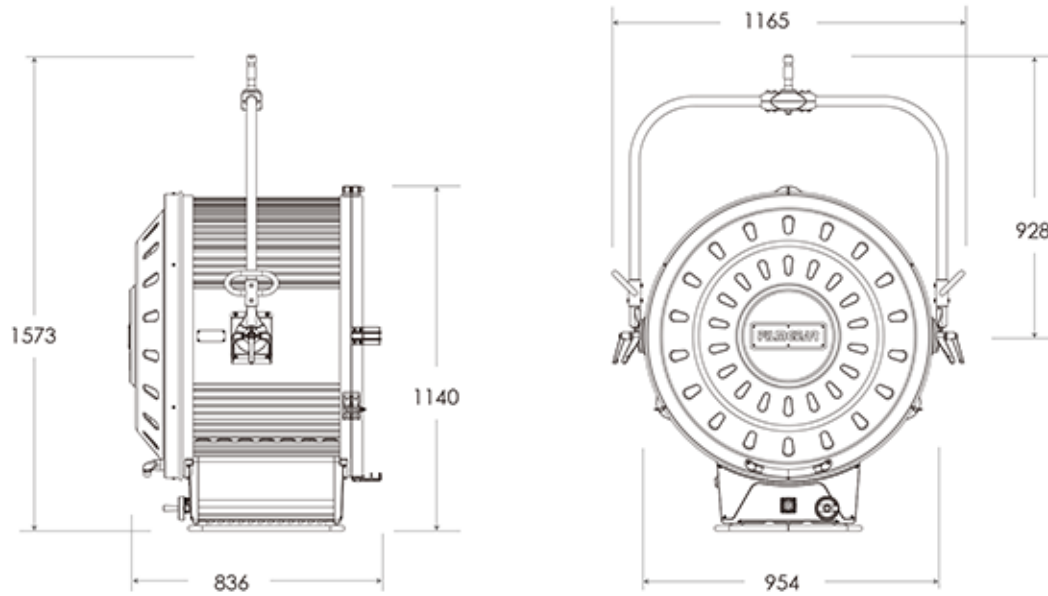
Transport Case

FILM GEAR INT. reserves the right to change or alter any of the items detailed on this page, to increase or improve manufacturing techniques without prior notice. © 20240127

Film Gear (International) Ltd. No.7, Cumberland Road, Kowloon Tong, Hong Kong ☎ (852) 2794 3608 📠 (852) 2794 3662 ✉ info@filmgear.net
Film Gear USA Group 9528 Rush Street, Suite A South El Monte, CA 91733, U.S.A ☎ 1-323-780-8880 ✉ joanna@filmgearusa.com

www.filmgear.net

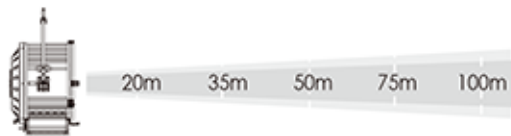
DIMENSIONS (mm)



PHOTOMETRIC DATA

DAYLIGHT

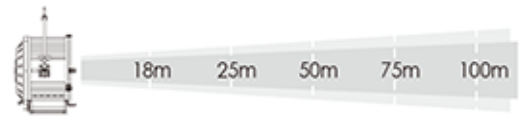
18k/12kW



18kW		20m	35m	50m	75m	100m
Spot	Lux	181130	59144	28980	12885	7245
	Beam Ø	0.96m	0.96m	0.96m	0.96m	0.96m
Flood	Lux	15935	5203	2550	1125	645
	Beam Ø	5.98m	10.46m	14.95m	22.42m	29.89m
12kW						
Spot	Lux	120753	39430	19320	8590	4830
	Beam Ø	0.96m	0.96m	0.96m	0.96m	0.96m
Flood	Lux	10623	3469	1700	750	430
	Beam Ø	5.98m	10.46m	14.95m	22.42m	29.89m

TUNGSTEN

24k/20kW



24kW		18m	25m	50m	75m	100m
Spot	Lux	24916	12918	3230	1435	807
	Beam Ø	1.73 m	2.4 m	4.8 m	7.2 m	9.6 m
Flood	Lux	7864	4075	1019	453	255
	Beam Ø	5.34 m	7.41 m	14.82 m	22.23 m	29.64 m
20kW						
Spot	Lux	26380	13675	3419	1519	855
	Beam Ø	1.73 m	2.4 m	4.8 m	7.2 m	9.6 m
Flood	Lux	6944	3599	900	400	225
	Beam Ø	5.34 m	7.41 m	14.82 m	22.23 m	29.64 m