

# MEGA MOTOR YOKE

## PRODUCT FEATURES

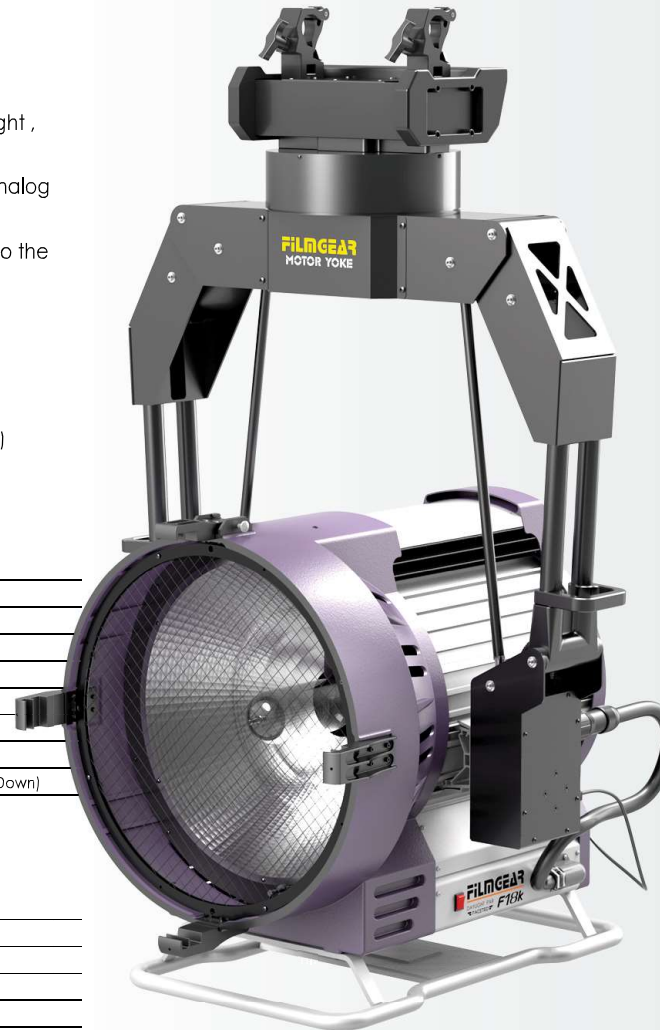
- Motor Yoke offers remote pan, tilt and focus for daylight, tungsten and LED lighting fixtures.
- These fixtures can be operated from using a simple analog control or DMX control.
- A interlock system allow for a fixtures to be adapted to the Motor Yoke quickly on location.
- Adjustable slipping clutch stop
- Current overload stop
- ON / OFF switch with integrated circuit breaker
- Spring loaded reverse potentiometer (analog controller)

## SPECIFICATIONS

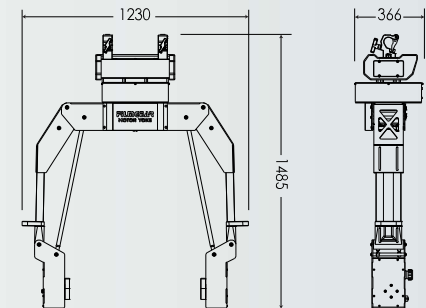
Pivot Range - Pan	Infinite : Adjustable slipping clutch stop (0-80Nm)
Pivot Range - Tilt	Infinite : Adjustable slipping clutch stop (0-80Nm)
Pivot Range - Focus	Infinite : Current overload / torque stops (5Nm)
Hand Controller	Controller Pan, Tilt & Focus
DMX Interface	DMX 512 Controller Box
DMX Addressing	Converter Box Assignment Buttons (Up/Down)

## ACCESORIES

Focus Unit	
Mitchell Adapter	
"Basic" DMX - converter	
Upgrade Fully Programmable DMX, incl. FP DMX - converter	
Analog Hand Controller	
Extension Cable for Analog Hand Controller	
Mega Claw	



## DIMENSIONS (mm)



## MYF 80

A0309MMY  
( with F18k )



80.0 kg



TILT



Focus

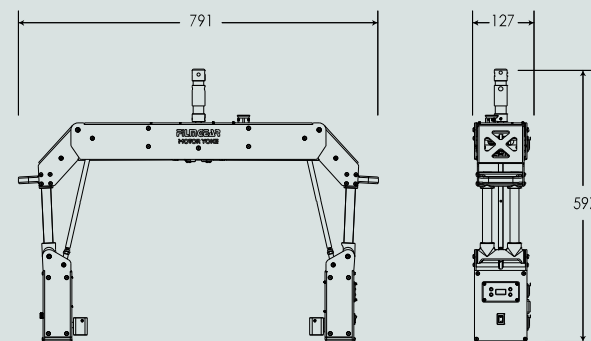


PAN



**MYF 40**  
 A0200TMY  
 ( with DF 4kW/2.5kW SE )

**DIMENSIONS (mm)**



40.0 kg



TILT



Focus



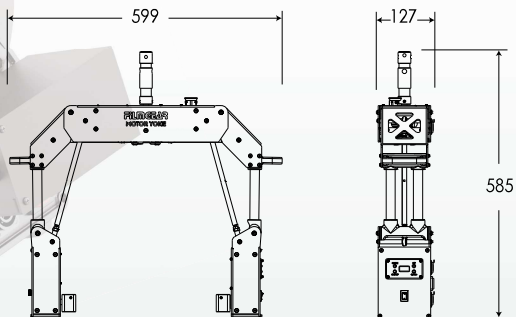
PAN

# MOTOR YOKE

## MYF 20

A050LSMY  
(with LFD 500)

DIMENSIONS (mm)

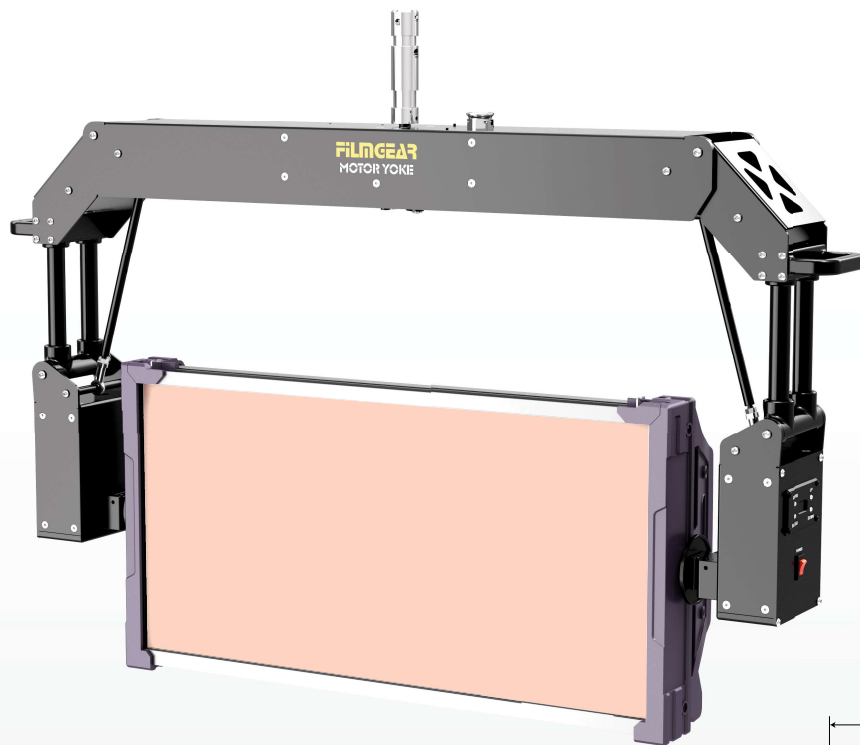


20.0 kg

TILT

Focus

PAN



**MY 20**  
A040LRMY  
( with RGB 400 )

 20.0 kg

 TILT

 PAN

**DIMENSIONS (mm)**

