

FILMGEAR

LED MAXIBRUTE

Max II 4

RGB

WEATHER RESISTANT IP65

PRODUCT FEATURES

- CRI > 96 and TLCI > 95
- CCT Mode : 2700K to 10000K
+/- Green / Magenta
- HSI Mode : Hue, Saturation & Intensity
- Gel Mode : > 300 Filters
- Communication : DMX XLR-5,
CRMX (LumenRadio),
Bluetooth,
Ethernet,
USB A

- Pattern Mode (User Define) :



- Individual Pixel Control :



- Scene Mode :



ACCESSORIES

- Diffuser w/ bag



- Softbox



- Eggcrate for Softbox



- Bluetooth Remote Control



Space Light kit

- Hanging Wire



- Silk Skirt + Target Assembly



- Black Skirt





SPECIFICATIONS

Identity No.	L040MXLC2
Max. Capacity	720W
Input Voltage	100 - 240V AC 50/60 Hz
Input Current	3.3A @220V AC
Color Temp. Range	2700K ~ 10000K
Color	R/G/B/W color mixing
CRI	Average >96
TLCI	Average >95
Dimming Range	0 -100%
Control Signal	DMX / RDM
LED Lifetime	30,000 Hrs (Estimated)
Stirrup	Ø28mm (1-1/8") Spigot
Class / IP Rating	1 / IP 65
Weight	21kg

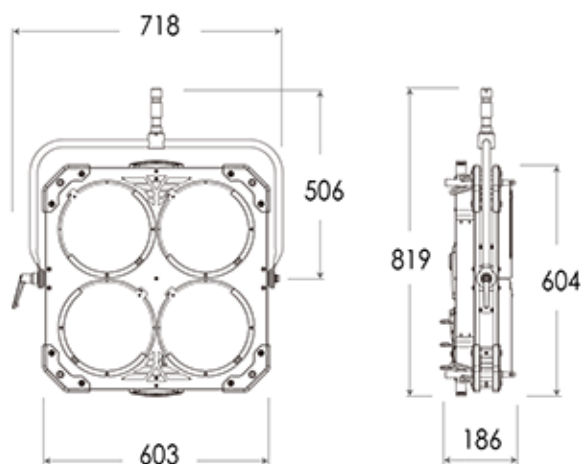
LAMPHEAD CONTENTS

- Lamp Housing
- Stirrup with Ø28mm Spigot
- AC Power Cable

PHOTOMETRIC DATA

	3m	5m	7m	9m
3200K				
Lux	18700	7520	3950	2420
5600K				
Lux	17300	6950	3650	2240

DIMENSIONS (mm)



FILMGEAR

LED MAXIBRUTE

Max II 12

RGB

WEATHER RESISTANT IP65

PRODUCT FEATURES

- CRI > 96 and TLCI > 95
- CCT Mode : 2700K to 10000K
+/- Green / Magenta
- HSI Mode : Hue, Saturation & Intensity
- Gel Mode : > 300 Filters
- Communication : DMX XLR-5,
CRMX (LumenRadio),
Bluetooth,
Ethernet,
USB A

- Pattern Mode (User Define) :



- Individual Pixel Control :



- Scene Mode :



ACCESSORIES

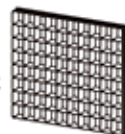
- Diffuser w/ bag



- Softbox



- Eggcrate
for Softbox



- Bluetooth
Remote
Control

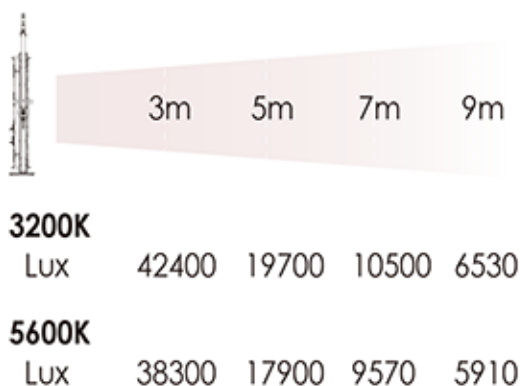




LAMPHEAD CONTENTS

- Lamp Housing
- Stirrup with Ø28mm Spigot
- AC Power Cable

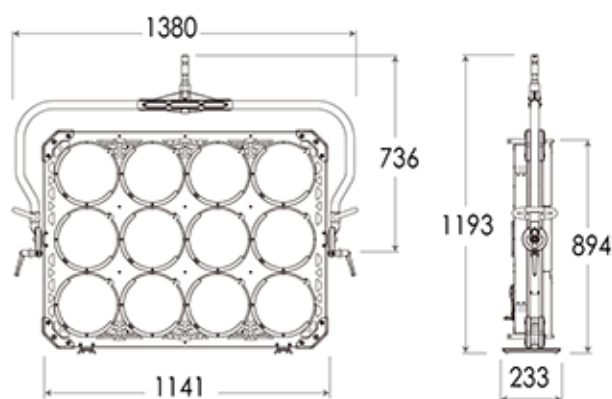
PHOTOMETRIC DATA



SPECIFICATIONS

Identity No.	L120MXLC2
Max. Capacity	2160W
Input Voltage	100 - 240V AC 50/60 Hz
Input Current	10A@220V AC
Color Temp. Range	2700K ~ 10000K
Color	R/G/B/W color mixing
CRI	Average >96
TLCI	Average >95
Dimming Range	0-100%
Control Signal	DMX / RDM
LED Lifetime	30,000 Hrs (Estimated)
Stirrup	Ø28mm (1-1/8 in.) Spigot
Class / IP Rating	1 / IP 65
Weight	59kg

DIMENSIONS (mm)



FILMGEAR

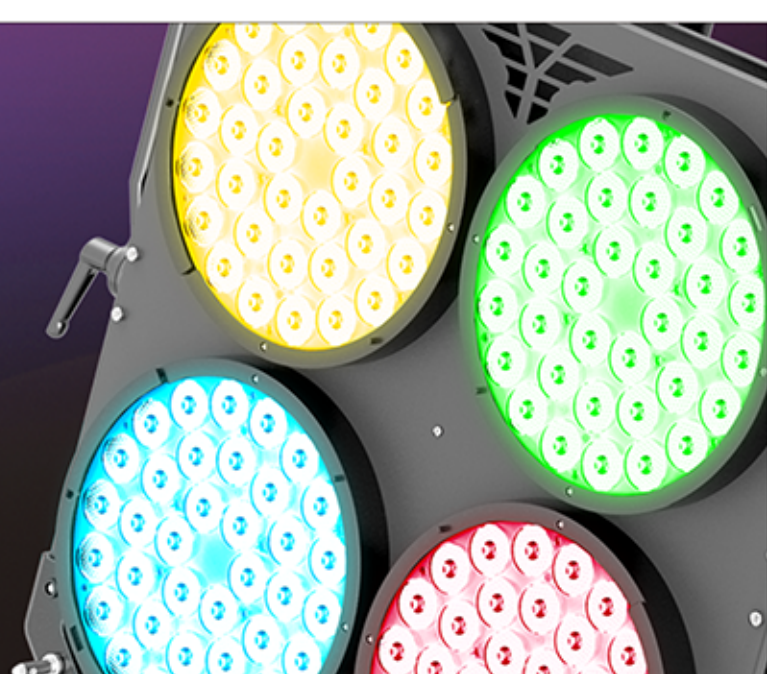
MEGABRUTE

RGB

MEGA

1100C

WEATHER RESISTANT IP65



LAMPHEAD CONTENTS

- Weather Resistant Lamp Housing
- Stirrup with Ø28mm Spigot
- AC Power Cable
- Softbox
- Eggcrate for Softbox

SPECIFICATIONS

Identity No.	L110MGLC
Max. Capacity	1080W
Input Voltage	100 - 240V AC
Input Current	5A@220V AC
Color Temp. Range	2700K ~ 10000K
Color	R/G/B/W color mixing
CRI	Average >96
TLCI	Average >95
Dimming Range	0 -100%
Control Signal	DMX / Bluetooth / Wireless DMX
Communication	DMX XLR-5, CRMX (LumenRadio), Bluetooth, Ethernet, USB A
Stirrup	Ø28mm (1-1/8 in.) Spigot
Class / IP Rating	1 / IP 65
Weight	26.5kg

PRODUCT FEATURES

- CRI > 96 and TLCI > 95
- CCT Mode : 2700K to 10000K, +/- Green / Magenta
- HSI Mode : Hue, Saturation & Intensity
- Gel Mode : > 300 Filters
- Communication : DMX XLR-5, CRMX (LumenRadio),
Bluetooth, Ethernet, USB A

- Pattern Mode (User Define) :



- Individual Pixel Control :



- Scene Mode :



ACCESSORIES

- Softbox



- Eggcrate for Softbox



- Diffuser w/ bag



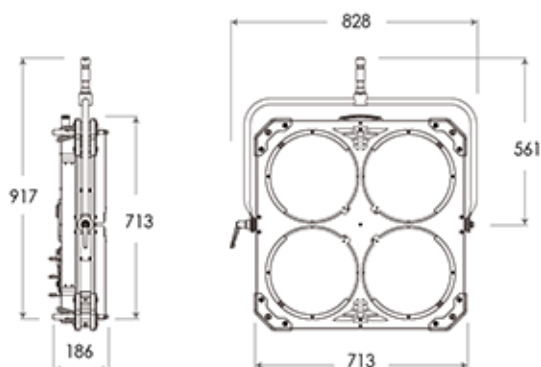
- Bluetooth Remote Control



MEGA 1100C MEGABRUTE

FILMGEAR

DIMENSIONS (mm)



PHOTOMETRIC DATA

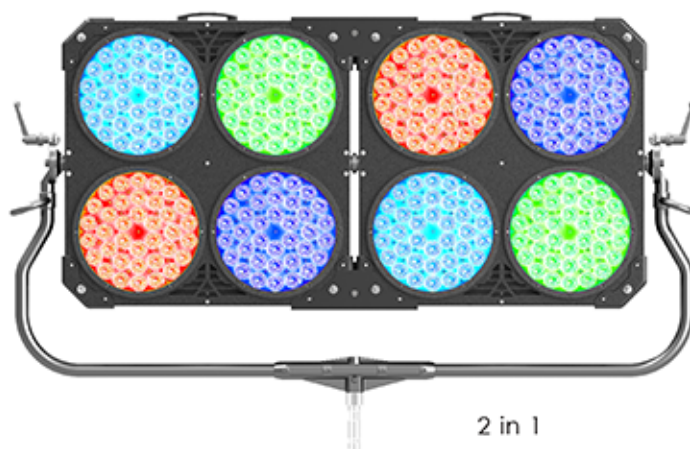
	3m	5m	7m	9m
3200K				
Lux	30500	12600	6860	4140
5600K				
Lux	28200	11700	6350	3840

SPACE LIGHT MODE

- Weather Resistant Lamp Housing
- Hanging Wire
- Silk Skirt+Target Assembly
- Black Skirt
- AC Power Cable



MODULAR MODE



FILM GEAR INT. reserves the right to change or alter any of the items detailed on this page, to increase or improve manufacturing techniques without prior notice. © 20240209

Film Gear (International) Ltd. No.7, Cumberland Road, Kowloon Tong, Hong Kong ☎ (852) 2794 3608 📠 (852) 2794 3662 ✉ info@filmgear.net
 Film Gear USA Group 9528 Rush Street, Suite A South El Monte, CA 91733, U.S.A ☎ 1-323-780-8880 ✉ joanna@filmgearusa.com

www.filmgear.net