



Daylight Fresnel 2500W SE

LAMPHEAD CONTENTS

- Lamp Housing without Bulb (purple grey & silver color)
- 4-leaf Rotatable Barndoor with Safety Wire
- Ø250mm (10 in.) Fresnel Lens
- Inlet Cable with Multi-Pin Connector
- Stirrup with Ø28mm (1-1/8 in.) Spigot

Requires Electronic Ballast, Lamphead to Ballast Cable and Lamp Bulb

Daylight Fresnel 2500W SE

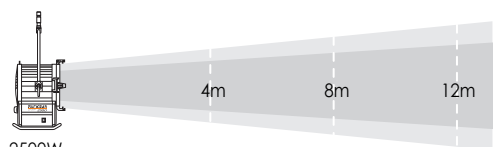
SPECIFICATIONS

Identify No.	L02500DS
Capacity	2,500W
Lamp Bulb Voltage	115V
Fresnel Lens	Ø250mm (9-7/8 in.)
Lamp Type	MSR 2500HR or HMI 2500W/SE
Color Temp.	5600K
Lamp Holder	G38
Stirrup	Ø28mm (1-1/8 in.) Spigot
Class / IP Rating	1 / IP 23
Max. Surface Temp.	160 °C
Min. Distance to Illuminated Object	8m
Min. Distance to Flammable Object	1m
Operating Range	+45° ~ 0° ~ -45°
Weight (lamphead)	17.1kg
Weight (with barndoor)	18.8kg

ACCESSORIES

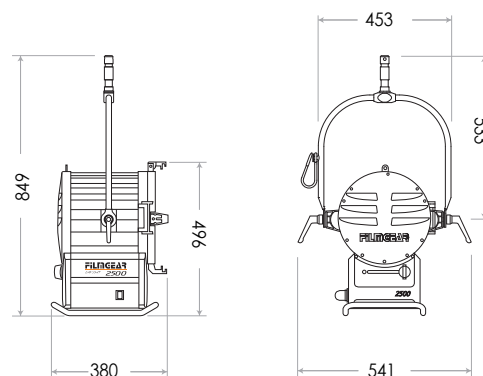
- Electronic Ballast V3 : 4kW/2.5kW or 2500W
- Lamphead to Ballast Cable : 7m (23 ft.) or 15m (49 ft.)
- 4-leaf Rotatable Barndoor
- Filter Frame
- Set of 4 Scrims Ø330mm (13 in.) :
 - Full Single, Full Double, Half Single, Half Double
- Scrim Bag
- Safety Cable (for lamphead)
- Safety Wire (for barndoor)

PHOTOMETRIC DATA



2500W			
Spot (7°)			
Lux	106366	26591	11818
Beam Ø	0.49 m	0.98 m	1.47 m
Flood (60°)			
Lux	8099	2025	900
Beam Ø	4.62 m	9.24 m	13.86 m

DIMENSIONS (mm)





Daylight Fresnel 4kW/2.5kW SE

LAMPHEAD CONTENTS

- Lamp Housing without Bulb (purple grey & silver color)
- 4-leaf Rotatable Barndoor with Safety Wire
- Ø300mm (11-3/4 in.) Fresnel Lens
- Inlet Cable with Multi-Pin Connector
- Stirrup with Ø28mm (1-1/8 in.) Spigot

Requires Electronic Ballast, Lamphead to Ballast Cable and Lamp Bulb

Daylight Fresnel 4kW/2.5kW SE

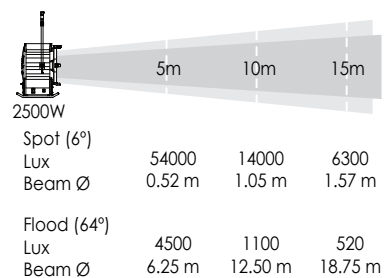
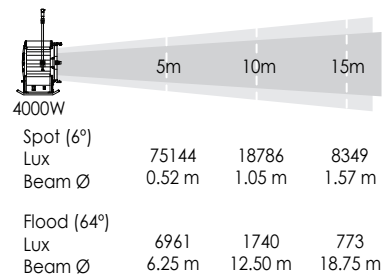
SPECIFICATIONS

Identify No.	L04025DS
Capacity	4,000W / 2,500W
Lamp Bulb Voltage	200V / 115V
Fresnel Lens	Ø300mm (11-3/4 in.)
Lamp Type	MSR 4000HR or HMI 4000W/SE MSR 2500/HR or HMI 2500W/SE
Color Temp.	5600K
Lamp Holder	G38
Stirrup	Ø28mm (1-1/8 in.) Spigot
Class / IP Rating	1 / IP 23
Max. Surface Temp.	160 °C / 150 °C
Min. Distance to Illuminated Object	10m / 8m
Min. Distance to Flammable Object	1.2m / 1m
Operating Range	+45° ~ 0° ~ -45°
Weight (lamphead)	22.6kg
Weight (with barndoor)	25.1kg

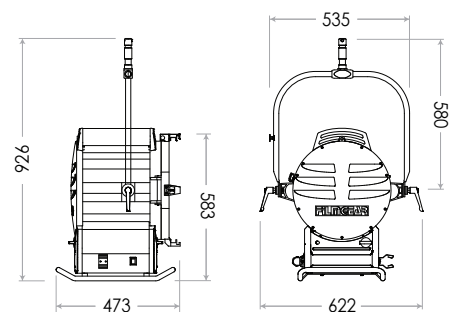
ACCESSORIES

- Electronic Ballast V3 : 4kW/2.5kW
- Lamphead to Ballast Cable : 7m (23 ft.) or 15m (49 ft.)
- 4-leaf Rotatable Barndoor
- Filter Frame
- Set of 4 Scrims Ø394mm (15-1/2 in.) :
Full Single, Full Double, Half Single, Half Double
- Scrim Bag
- Safety Cable (for lamphead)
- Safety Wire (for barndoor)

PHOTOMETRIC DATA



DIMENSIONS (mm)





Daylight Fresnel 4000W SE

LAMPHEAD CONTENTS

- Lamp Housing without Bulb (purple grey & silver color)
- 4-leaf Rotatable Barndoor with Safety Wire
- Ø300mm (11-3/4 in.) Fresnel Lens
- Inlet Cable with Multi-Pin Connector
- Stirrup with Ø28mm (1-1/8 in.) Spigot

Requires Electronic Ballast, Lamphead to Ballast Cable and Lamp Bulb

Daylight Fresnel 4000W SE

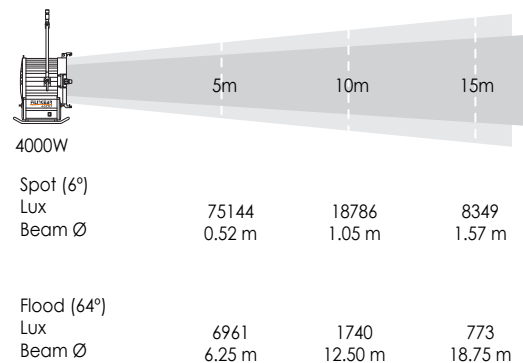
SPECIFICATIONS

Identify No.	L04000DS
Capacity	4,000W
Lamp Bulb Voltage	200V
Fresnel Lens	Ø300mm (11-3/4 in.)
Lamp Type	MSR 4000HR or HMI 4000W/SE
Color Temp.	5600K
Lamp Holder	G38
Stirrup	Ø28mm (1-1/8 in.) Spigot
Class / IP Rating	1 / IP 23
Max. Surface Temp.	170 °C
Min. Distance to Illuminated Object	10m
Min. Distance to Flammable Object	1.2m
Operating Range	+45° ~ 0° ~ -45°
Weight (lamphead)	21.8kg
Weight (with barndoor)	24.3kg

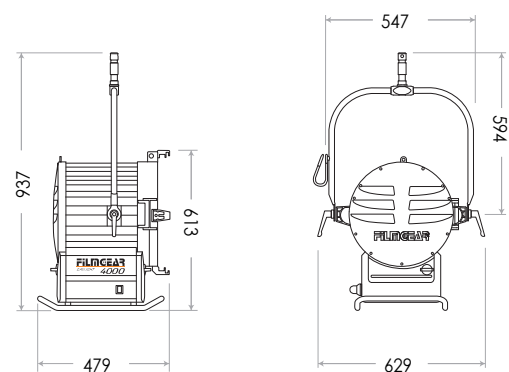
ACCESSORIES

- Electronic Ballast V3 : 4kW/2.5kW
- Lamphead to Ballast Cable : 7m (23 ft.) or 15m (49 ft.)
- 4-leaf Rotatable Barndoor
- Filter Frame
- Set of 4 Scrims Ø394mm (15-1/2 in.) : Full Single, Full Double, Half Single, Half Double
- Scrim Bag
- Safety Cable (for lamphead)
- Safety Wire (for barndoor)

PHOTOMETRIC DATA



DIMENSIONS (mm)





Daylight Fresnel 6000W SE

LAMPHEAD CONTENTS

- Lamp Housing without Bulb (purple grey & silver color)
- 4-leaf Rotatable Barndoor with Safety Wire
- Ø450mm (17-3/4 in.) Fresnel Lens
- Inlet Cable with Multi-Pin Connector
- Stirrup with Ø28mm (1-1/8 in.) Spigot

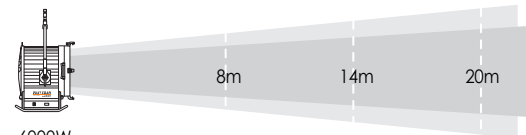
Requires Electronic Ballast, Lamphead to Ballast Cable and Lamp Bulb

Daylight Fresnel 6000W SE

SPECIFICATIONS

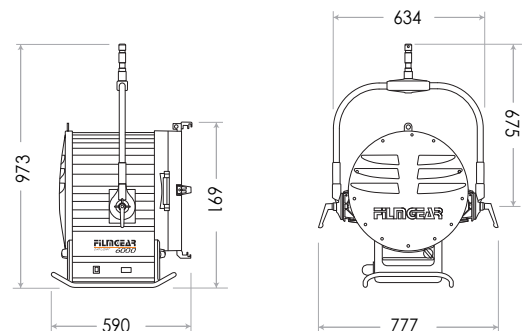
Identify No.	L06000DS
Capacity	6,000W
Lamp Bulb Voltage	123V
Fresnel Lens	Ø450mm (17-3/4 in.)
Lamp Type	MSR 6000HR or HMI 6000W/SE
Color Temp.	5600K
Lamp Holder	GX38
Stirrup	Ø28mm (1-1/8 in.) Spigot
Class / IP Rating	1 / IP 23
Max. Surface Temp.	200 °C
Min. Distance to Illuminated Object	12m
Min. Distance to Flammable Object	1.5m
Operating Range	+45° ~ 0° ~ -45°
Weight (lamphead)	37.6kg
Weight (with barndoor)	42.6kg

PHOTOMETRIC DATA



Spot (6°)	8m	14m	20m
Lux	59653	19479	9545
Beam Ø	0.84 m	1.47 m	2.10 m
Flood (65°)			
Lux	4498	1469	720
Beam Ø	10.19 m	17.84 m	25.48 m

DIMENSIONS (mm)



ACCESSORIES

- Electronic Ballast V3 : 12kW/6kW or 6000W
- Lamphead to Ballast Cable : 7m (23 ft.) or 15m (49 ft.)
- 4-leaf Rotatable Barndoor
- Filter Frame
- Set of 4 Scrims Ø533mm (21 in.) :
 - Full Single, Full Double, Half Single, Half Double
- Scrim Bag
- Safety Cable (for lamphead)
- Safety Wire (for barndoor)



Daylight Fresnel 9kW/6kW SE

LAMPHEAD CONTENTS

- Lamp Housing without Bulb (purple grey & silver color)
- 4-leaf Rotatable Barndoor with Safety Wire
- Ø450mm (17-3/4 in.) Fresnel Lens
- Inlet Cable with Multi-Pin Connector
- Stirrup with Ø28mm (1-1/8 in.) Spigot

Requires Electronic Ballast, Lamphead to Ballast Cable and Lamp Bulb

Daylight Fresnel 9kW/6kW SE

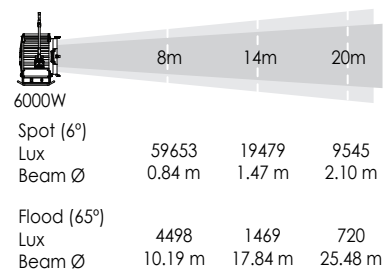
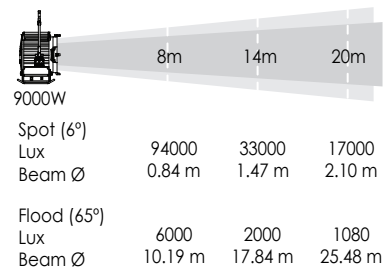
SPECIFICATIONS

Identify No.	L09060DS
Capacity	9,000W / 6,000W
Lamp Bulb Voltage	160V / 123V
Fresnel Lens	Ø450mm (17-3/4 in.)
Lamp Type	CSR 9000/SE/HR or HMI 9000W/SE MSR 6000/HR or HMI 6000W/SE
Color Temp.	5600K
Lamp Holder	GX38
Stirrup	Ø28mm (1-1/8 in.) Spigot
Class / IP Rating	1 / IP 23
Max. Surface Temp.	220 °C / 200 °C
Min. Distance to Illuminated Object	15m / 12m
Min. Distance to Flammable Object	1.5m
Operating Range	+45° ~ 0° ~ -45°
Weight (lamphead)	38.7kg
Weight (with barndoor)	43.7kg

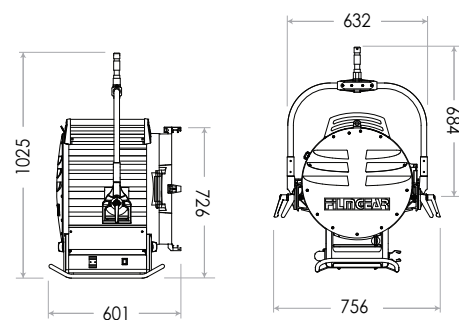
ACCESSORIES

- Electronic Ballast V3 : 9kW/6kW
- Lamphead to Ballast Cable : 7m (23 ft.) or 15m (49 ft.)
- 4-leaf Rotatable Barndoor
- Filter Frame
- Set of 4 Scrims Ø533mm (21 in.) :
Full Single, Full Double, Half Single, Half Double
- Scrim Bag
- Safety Cable (for lamphead)
- Safety Wire (for barndoor)

PHOTOMETRIC DATA



DIMENSIONS (mm)





Daylight Fresnel 12000W SE

LAMPHEAD CONTENTS

- Lamp Housing without Bulb (purple grey & silver color)
- 4-leaf Rotatable Barndoor with Safety Wire
- Ø500mm (19-5/8 in.) Fresnel Lens
- Inlet Cable with Multi-Pin Connector
- Stirrup with Ø28mm (1-1/8 in.) Spigot

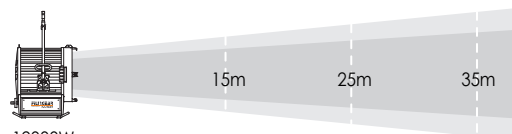
Requires Electronic Ballast, Lamphead to Ballast Cable and Lamp Bulb

Daylight Fresnel 12000W SE

SPECIFICATIONS

Identify No.	L12000DS
Capacity	12,000W
Lamp Bulb Voltage	160V
Fresnel Lens	Ø500mm (19-5/8 in.)
Lamp Type	MSR 12000HR or HMI 12000W/SE
Color Temp.	5600K
Lamp Holder	GX38
Stirrup	Ø28mm (1-1/8 in.) Spigot
Class / IP Rating	1 / IP 23
Max. Surface Temp.	200 °C
Min. Distance to Illuminated Object	15 m
Min. Distance to Flammable Object	2 m
Operating Range	+38° ~ 0° ~ -38°
Weight (lamphead)	51kg
Weight (with barndoor)	55.5kg

PHOTOMETRIC DATA



12000W			
Spot (6°)			
Lux	39727	14302	7297
Beam Ø	1.57 m	2.62 m	3.67 m
Flood (54°)			
Lux	2397	863	440
Beam Ø	15.29 m	25.48 m	35.67 m

ACCESSORIES

- Electronic Ballast V3 : 18kW/12kW or 12kW/6kW
- Lamphead to Ballast Cable : 15m (49 ft.) or 20m (66 ft.)
- 4-leaf Rotatable Barndoor
- Set of 4 Scrim Ø622mm (24-1/2 in.) :
 - Full Single, Full Double, Half Single, Half Double
- Scrim Bag
- Safety Cable (for lamphead)
- Safety Wire (for barndoor)

DIMENSIONS (mm)

