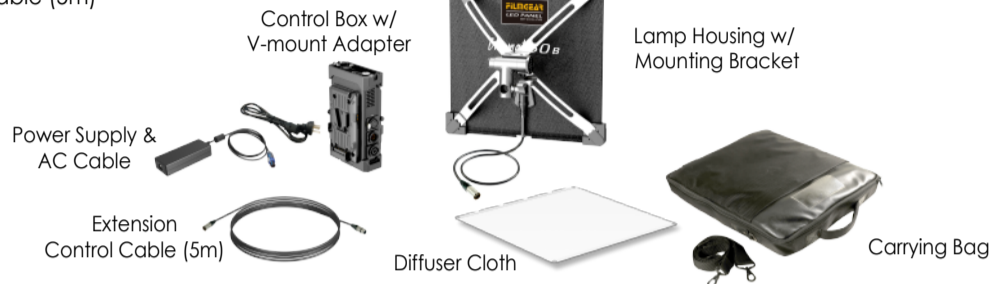


Cinemat 50B

LAMPHEAD CONTENTS

- Lamp Housing
- Mounting Bracket
- Diffuser
- Control Box with V-mount Adapter
- Power Supply & AC Cable
- Extension Control Cable (5m)
- Carrying Bag



CINEMAT 50B

SPECIFICATIONS

| | |
|-------------------|--|
| Identity No. | L0005CMB |
| Max. Capacity | 50W |
| Color Temp. Range | 2800K - 6200K |
| CRI | Average >95 |
| TLCI | Average >95 |
| Dimming Range | 0-100% |
| Control Signal | DMX 512 |
| DMX Channel | 2 |
| LED Lifetime | 30,000 Hrs (Estimated) |
| LED | 288 pcs. Cold White SMDLED 288 pcs. Warm White SMDLED |
| Weight | 405g |

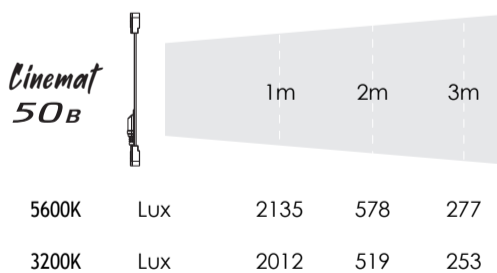
CONTROL BOX

| | |
|---------------|-------------|
| Identity | A0050LCB |
| Capacity | 50W |
| Input Voltage | 22 - 36V DC |
| Weight | 990 g |

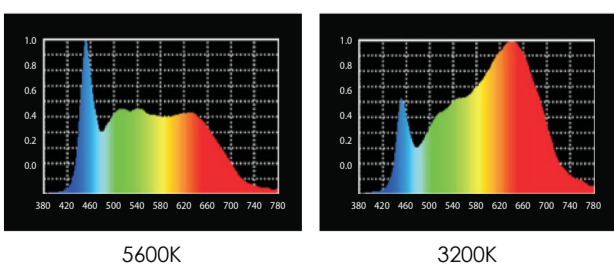
POWER SUPPLY

| | |
|---------------|---------------|
| Capacity | 90W |
| Input Voltage | 100 - 240V AC |

PHOTOMETRIC DATA



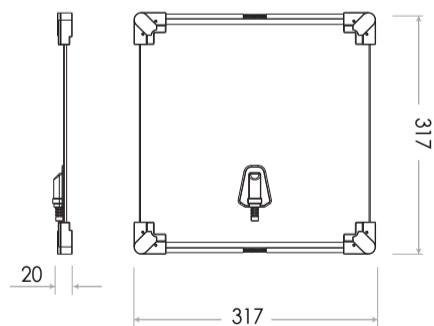
SPECTRUM



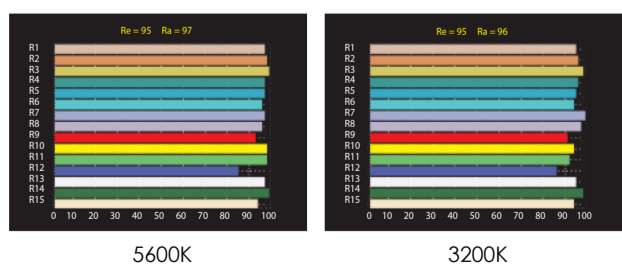
ACCESSORIES



DIMENSIONS (mm)



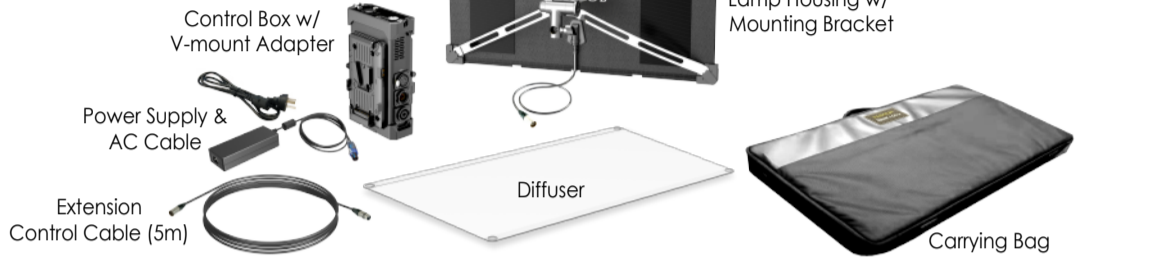
HISTOGRAM



Cinemat 100B

LAMPHEAD CONTENTS

- Lamp Housing
- Mounting Bracket
- Diffuser
- Control Box with V-mount Adapter
- Power Supply & AC Cable
- Extension Control Cable (5m)
- Carrying Bag



CINEMAT 100B

SPECIFICATIONS

| | |
|-------------------|--|
| Identity No. | L0010CMB |
| Max. Capacity | 100W |
| Color Temp. Range | 2800K - 6200K |
| CRI | Average >95 |
| TLCI | Average >95 |
| Dimming Range | 0-100% |
| Control Signal | DMX 512 |
| DMX Channel | 2 |
| LED Lifetime | 30,000 Hrs (Estimated) |
| LED | 576 pcs. Cold White SMDLED 576 pcs. Warm White SMDLED |
| Weight | 684g |

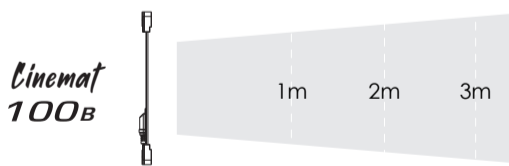
CONTROL BOX

| | |
|---------------|-------------|
| Identity | A0100LCB |
| Capacity | 100W |
| Input Voltage | 22 - 36V DC |
| Weight | 1142g |

POWER SUPPLY

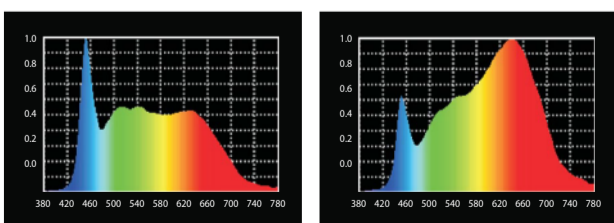
| | |
|---------------|---------------|
| Capacity | 160W |
| Input Voltage | 100 - 240V AC |

PHOTOMETRIC DATA



| Color Temp. | Unit | 1m | 2m | 3m |
|-------------|------|------|------|-----|
| 5600K | Lux | 3765 | 1002 | 495 |
| 3200K | Lux | 3278 | 933 | 449 |

SPECTRUM



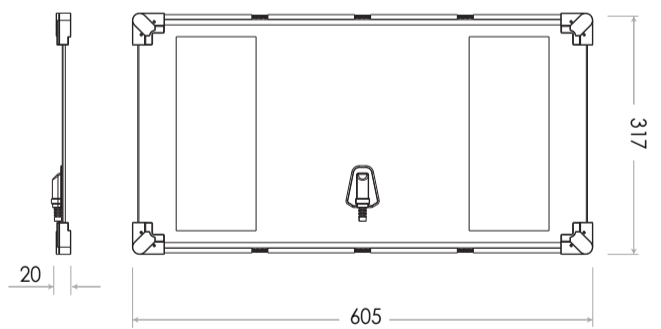
5600K

3200K

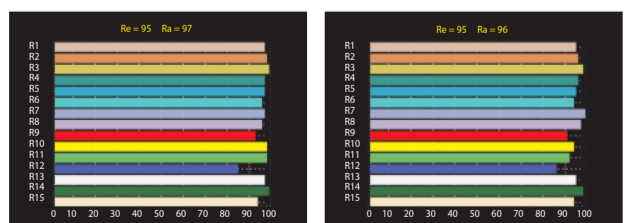
ACCESSORIES



DIMENSIONS (mm)



HISTOGRAM



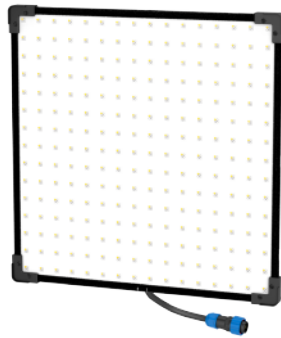
5600K

3200K

Cinemat 100c

KIT CONTENTS

- Lamp Housing
- Mounting Bracket
- Diffuser
- Control Box with V-mount Adapter
- Power Supply & AC Cable
- Extension Control Cable (5m)
- Carrying Bag



CINEMAT 100C

SPECIFICATIONS

| | |
|-------------------|---|
| Identity No. | L0010CMC |
| Max. Capacity | 100W |
| Color Temp. Range | 2700K - 10000K |
| Color | R/G/B/W Color Mixing |
| CRI | Average >95 |
| TLCI | Average >90 |
| Dimming Range | 0-100% |
| Control Signal | DMX / RDM |
| LED Lifetime | 30,000 Hrs (Estimated) |
| LED | 240 pcs. Red 240 pcs. Green |
| Weight | 240 pcs. Blue 240 pcs. White 687g |

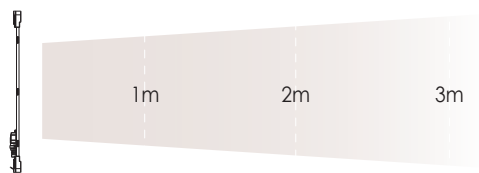
CONTROL BOX

| | |
|---------------|-----------------------------|
| Identity | A0100LCC |
| Capacity | 100W |
| Input Voltage | 48V DC or V-mount 14-30V DC |
| Weight | 1728g |

POWER SUPPLY

| | |
|---------------|---------------|
| Capacity | 120W |
| Input Voltage | 100 - 240V AC |

PHOTOMETRIC DATA



| | | | | |
|---------------------------|-----|------|-----|-----|
| 5600K | Lux | 3645 | 911 | 405 |
| 3200K | Lux | 3546 | 886 | 394 |
| # Naked, without diffuser | | | | |

ACCESSORIES



DIMENSIONS (mm)

